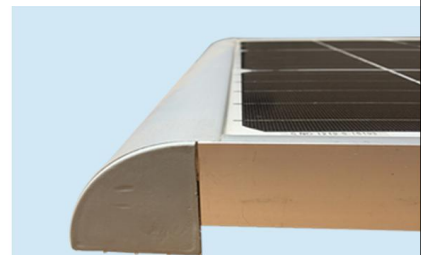


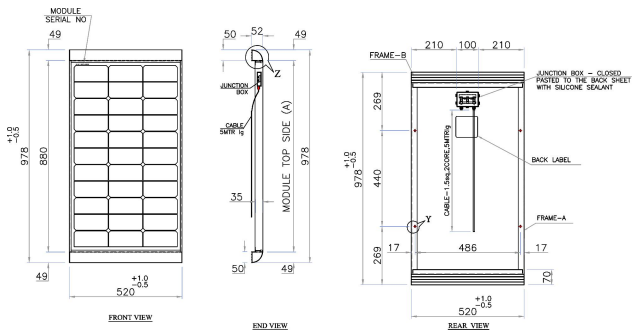
## AERODYNAMIC GLASS PANEL ROOFTOP SOLAR PANELS

These modules are ideally suited for use on RV rooftops where a glass panel design is desired. The module design incorporates a unique aerodynamic profile to lower wind resistance and noise. The robust manufacturing process and the choice of reliable specifications of raw materials ensure reliability and trouble-free operation over the product life.

- Aerodynamic Profile.
- High efficiency Mono crystalline cells for "all weather" charging.
- Holes free installation on RV / Caravan rooftops.
- Water resistant, robust construction with high quality PVFD bottom film for outdoor use.
- 2-year product workmanship warranty and 20 year power output warranty.
- Special Profile used enables holes free fixing on the rooftop.
- Adequate gap between PV Module and Caravan roof mounting.

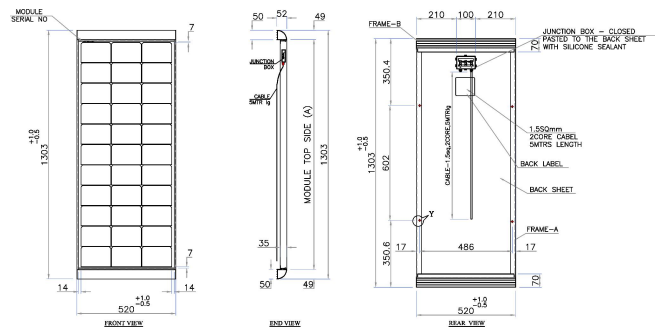


### AT-AEROF-MONOSOL-12-80-AV01



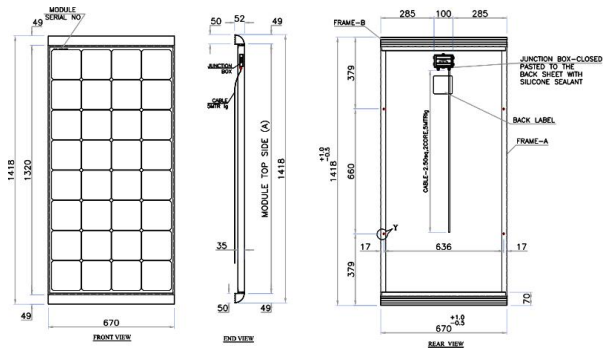
Maximum power rating	Pmax	80	W
Tolerance on power output		+/- 6.0	%
Current at max power	Imax	4.27	A
Voltage at max power	Vmax	18.74	V
Short circuit current	Isc	4.73	A
Open circuit voltage	Voc	21.11	V
No. of cells	Nos	33	
Weight	Kg~	6.55	

### U6M IP AE 115 W



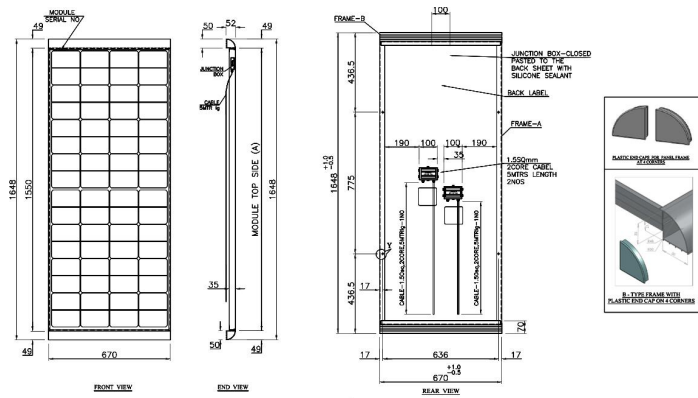
Maximum power rating	Pmax	115	W
Tolerance on power output		+/- 6.0	%
Current at max power	Imax	6.14	A
Voltage at max power	Vmax	18.74	V
Short circuit current	Isc	6.81	A
Open circuit voltage	Voc	21.11	V
No. of cells	Nos	33	
Weight	Kg~	8.70	

### U6M IP AE 170 W



Maximum power rating	Pmax	170	W
Tolerance on power output		+/- 6.0	%
Current at max power	Imax	9.35	A
Voltage at max power	Vmax	18.18	V
Short circuit current	Isc	9.91	A
Open circuit voltage	Voc	21.44	V
No. of cells	Nos	32	
Weight	Kg~	12.20	

### U6M IP AE 200 W



Maximum power rating	Pmax	200 (100 W x 2)	W
Maximum power rating	Per Circuit	100	W
Tolerance on power output		+/- 6.0	%
Current at max power	Imax	5.50	A
Voltage at max power	Vmax	18.18	V
Short circuit current	Isc	5.83	A
Open circuit voltage	Voc	21.44	V
No. of cells	Nos	64	
Weight	Kg~	15.0	

Temperature Coefficients I<sub>sc</sub> : +0.047%/OC, V<sub>oc</sub> : -0.323%/OC, FF : -0.117%/OC.  
STC Intensity 1000W/M2 Module Temperature 250C Spectrum AM = 1.5